

Cleanline TOOL

120 Trays Per Minute

Maximize your production capacity with high-speed, automated tray denesting. The reliable solution boasts a capacity of up to 120 trays per minute depending on the shape and size of the tray.

Easy Integration

The ANYTRAY Cleanline Tool is easily integrated into your existing production line. Whether you need a rack or a buffer – the tool is ready to automate the denesting process.

Short Return of Investment

The long-lasting and hygienic design, built with few moving parts keeps your production running smoothly with few production stops and low maintenance cost.

PNEUMATIC DENESTING SOLUTION

QUPAQ

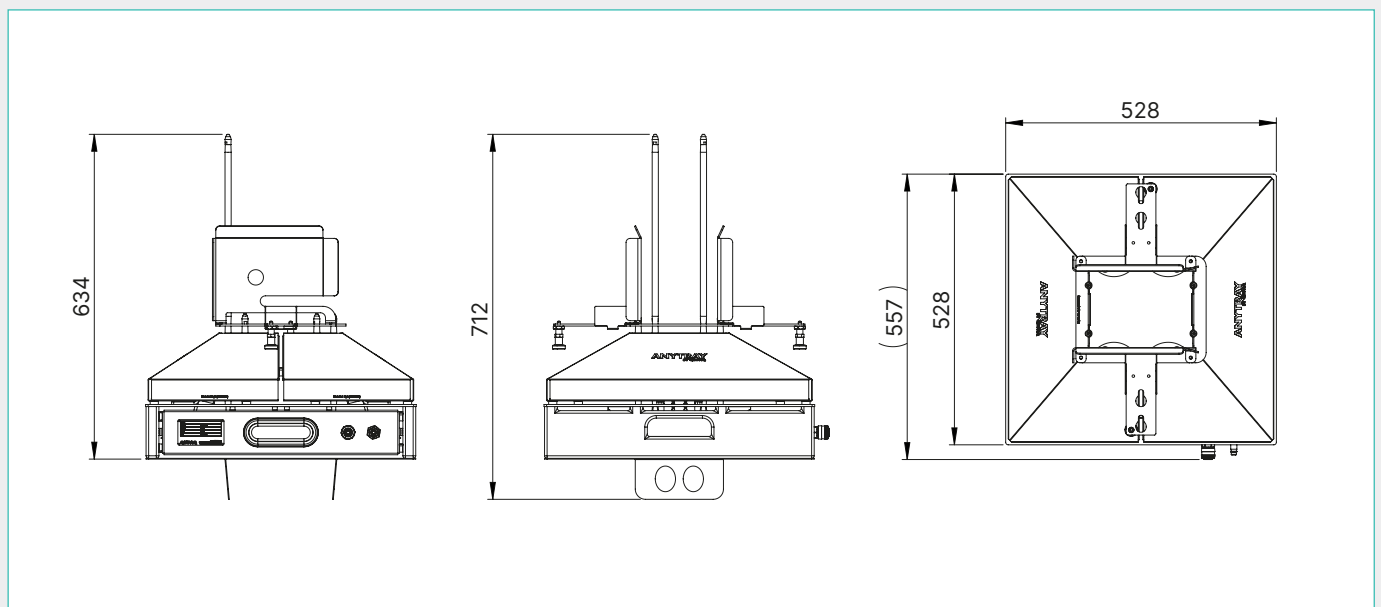
QUALITY QUANTIFIED

Specifications

ANYTRAY Cleanline Tool - Buffer

Capacity	Air Consumption	Air Pressure	Humidity	Operational Temperature
Up to 120 trays per minute (tray dependent)	300 L/min at 120 trays per minute	6 Bar	Min. 10% Max. 90%	0°C - 60°C 32°F - 95°F

Noise Level	Weight	Steel Quality	Maximum Tray Length	Maximum Tray Width
< 70 dB	Approx. 23 kg (tray dependent)	EN 1.4301 AISI 304	325 MM (tray dependent - please send a request for other sizes)	265 MM (tray dependent - please send a request for other sizes)



Specifications and photos are intended as a guide and can be changed by QUPAQ without notice. We make reservations for misprints and typing errors. The illustration and specifications are of the ANYTRAY Cleanline Tool - Buffer. Item no. 91300013.

QUPAQ

QUALITY QUANTIFIED

QUPAQ
Erhvervsparken 16
9700 Broenderslev
Denmark

P. +45 96 46 76 00
qupaq@qupaq.com
qupaq.com