

LeanOne BUFFER

Pneumatic Denester

The ANYTRAY LeanOne Buffer is a pneumatic denester and buffer solution made to consistently denest trays at a speed of up to 120 trays per minute.

The ANYTRAY LeanOne Buffer automatically feeds the ANYTRAY LeanOne Tool with full height trays, which results in less manual intervention and lower operation costs by ensuring a continuous production flow and fewer stops.

Versatile Solution

The denesting solution is versatile and can work with lots of different tray types and sizes. The light-weighted tool makes switches between different tray sizes and shapes a breeze.

The ANYTRAY LeanOne Tool can also be turned 90 degrees which enables the ANYTRAY LeanOne Buffer to denest both long-side and short-side leading - a switch that can be done in matter of seconds.

Easy Integration

The ANYTRAY LeanOne Buffer is easily integrated into an existing production or packing line.

Handcrafted in Denmark using stainless steel, the ANYTRAY LeanOne Buffer features a cost-effective, low-maintenance, and hygienic design, ensuring reliability and efficiency in your production environment. Available with various buffer lengths to accommodate individual needs.

PNEUMATIC BUFFER SOLUTION

QUPAQ

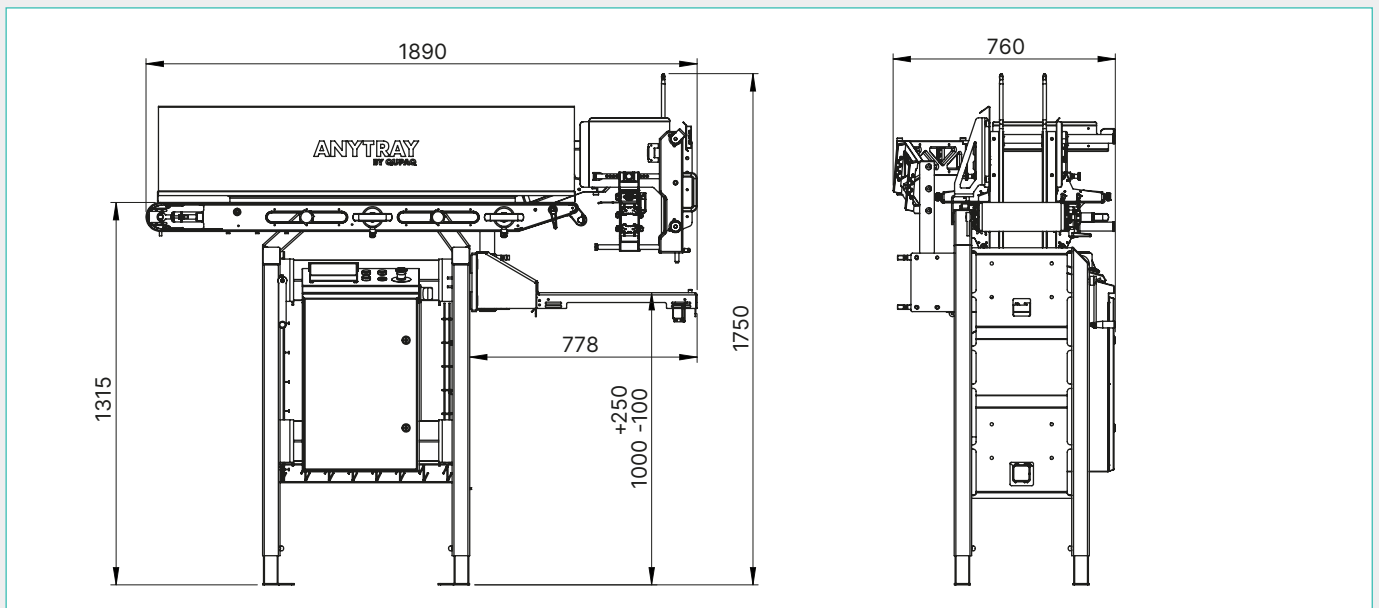
QUALITY QUANTIFIED

Specifications

ANYTRAY LeanOne Buffer

Capacity	Air Consumption	Air Pressure	Voltage for Valves	Power Supply	Power Consumption	Infeed Height	Outfeed Height
Up to 120 trays per minute	200 L/min at 120 trays per min.	6 Bar	24 VDC	1 × 230V + N + PE	0.5 kWh	1315 mm (+250/-100 mm)	1000 mm (+250/-100 mm)

Humidity	Operational Temperature	Max SCCR (Ik Max)	Noise Level	Full-load Current	Frequency	Weight	Steel Quality
Min. 20% Max. 80%	5°-40° C	6 kA	< 75 dB	2A	50 Hz	Approx. 245 kg	EN 1.4301 AISI 304



Specifications and photos are intended as a guide and can be changed by QUPAQ without notice. We make reservations for misprints and typing errors. The illustration and specifications are of the ANYTRAY LeanOne Buffer - 1500. Item no. 90002998.

QUPAQ

QUALITY QUANTIFIED

QUPAQ
Erhvervsparken 16
9700 Broenderslev
Denmark

P. +45 96 46 76 00
qupaq@qupaq.com
qupaq.com