



INTRAY Smart Stand Servo

100% electrical servo denester

Smart Stand Servo is the perfect tray denester for a production line with limited space and a steady flow of trays.

Smart Stand Servo comes with a custom-made-to-tray Smart Tool and an integrated programmable control unit. The Smart Tool can be effortlessly removed, and another placed in the Smart Stand Servo.

The stand itself is constructed in stainless tubes, making cleaning easy.

Hygienic and fast denesting

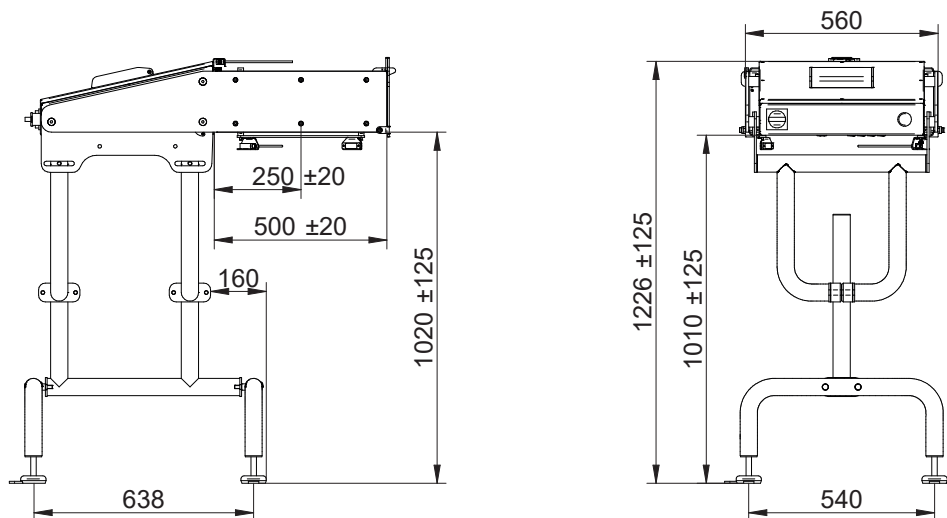
The tray denester is servo driven - giving you complete control of every stage of the denesting. When you need to change to a new tray you can do so and be up and running again within 2 minutes.

The Smart Tool can endure thorough industrial cleaning, adhering to strict hygiene standards. The complete tool is accessible for your cleaning crew, to ensure that any part in contact with the trays are as clean as the rest of your production line.

Technical specifications

INTRAY Smart Stand Servo

Specifications	
Capacity	Up to 160 trays per minute (tray depending)
Highlights	Servo driven denesting
	Space-saving compact patented solution
	Hygienic denesting
	Designed for industrial cleaning
	Time saving tray change
	Integrated programmable control unit



Specifications and photos are intended as a guide and can be changed by QUPAQ without notice. We make reservations for misprints and typing errors.