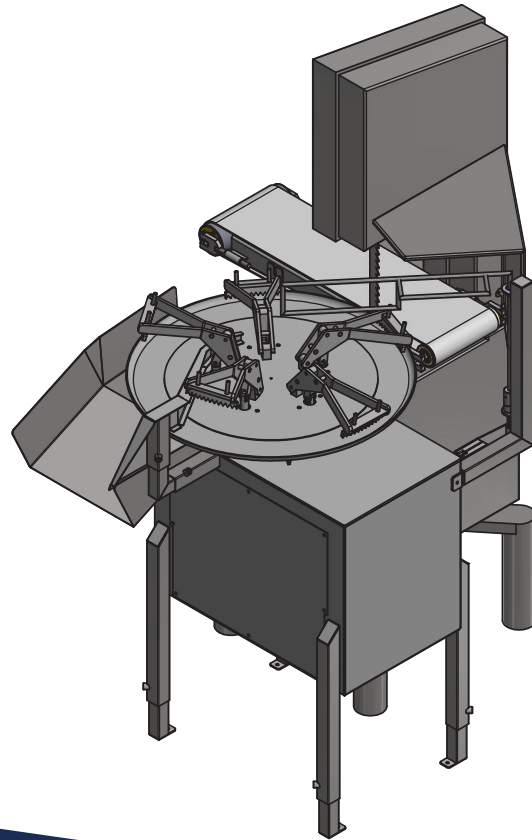


Neck bone saw

Efficient and safe neck bone sawing



Pork Neck bones are manually placed on the product feeding round table and are held accordingly during the automatic sawing process. The two sawed products are guided away and ready for next processing or packaging.

The Design ensure safe operation and easy maintenance

Advantages

- Bandsaw cutting
- Increased operator safety
- High capacity
- Simple mechanical construction

See video of the Neck bone saw on our website:



We create machine solutions that ensure production profitability

Woitech develop and manufacture innovative machine solutions for the food industry. Our focus is to add value to our customers Production line and ensure measurable profitability.

We are taking our customers through the project from the early stage where the need and ideas are evaluated to the integrated and commissioned machine. Our central focus is solutions that add value to our customers production, and we are never compromising quality aspects in our deliveries. We are aiming to create long and trustful relations and learn from our customers.

Pointed Below are some of the Benefits when choosing Woitech as machine solution supplier:



What

- Custom made machinery
- Product handling
- Conveyers
- Saw and cutting solutions
- Process machinery



How

- Hygienic Design
- Robots >IP67
- Vision technology
- Automation



Why

- Production atomization
- Energy reduction
- Process optimization
- Working environment
- Operator safety



We ensure maximum uptime by:

- Operational and technical training
- Remote support from Our office in Kolding , Denmark
- Planning service activities
- Quick onsite support