

### NovaMax<sup>®</sup>

Next Generation of Slide-Plate Forming Technology

#### Integrated Systems

Grinding & Mixing

Separating

**Forming**

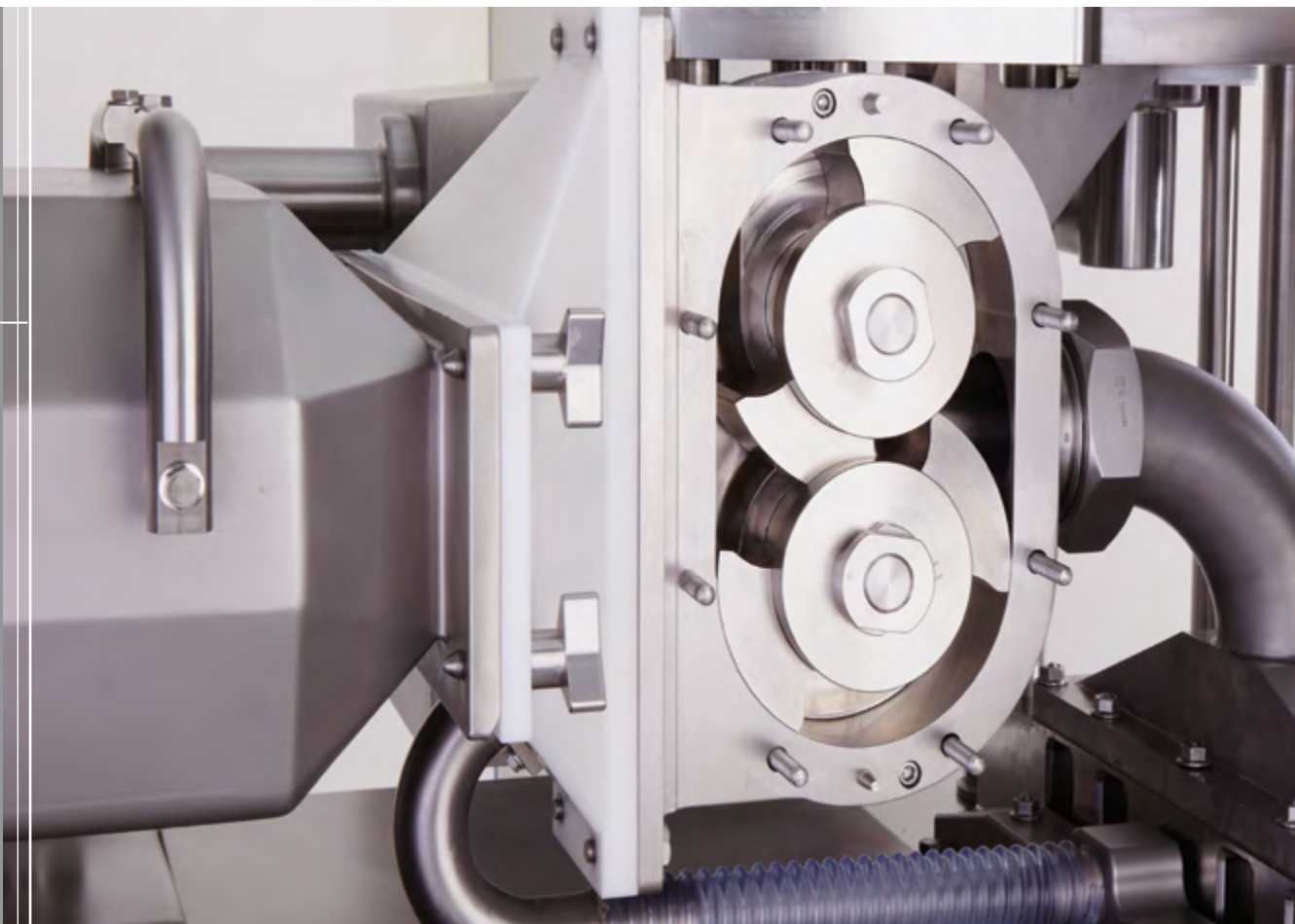
Coating

Cooking

Freezing

Slicing

Autoloading





# NovaMax<sup>®</sup>: Next Generation Slide-Plate Forming System

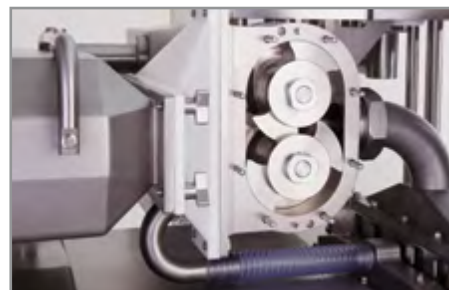
## Pivoting Product Hopper and Servo Feed Screw

A pivoting hopper and easily removable feedscrews are among the features that make the NovaMax quick and easy to clean. Innovative features result in reduced downtime, lower maintenance costs and increased productivity.



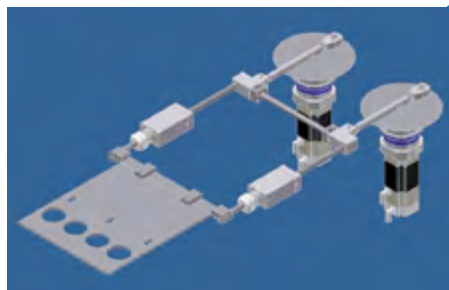
## Servo Controlled Dual Lobe Pump

The NovaMax servo controlled dual lobe pump not only provides precise filling capability but also ensures that product is not overworked and damaged in the pumping process. Because the system is fully enclosed, it has the added benefit of virtually eliminating product leakage.



## Direct Drive Servo

By minimizing mechanical linkages, the NovaMax advanced servo technology improves reliability and uptime resulting in a significantly lower cost of ownership.



## Touch Screen Interface

NovaMax introduces a next generation 381mm (15 inches) touch screen interface that is easy to use. Operators can choose from a full range of operating and diagnostic screens in multiple languages and make adjustments to key parameters on the run.



## One-Piece Pump Box

NovaMax incorporates a one-piece pump box that provides a true running surface for precise tooling alignment resulting in reduced mold plate drive loads and reduced product leakage.




## Servo Knock-Out Drive

Precise product placement to downstream conveying systems is provided by programmable knock-out motion profiles powered by advanced servo drives. It optimizes performance and works in sync with conveyors on a product by product basis.

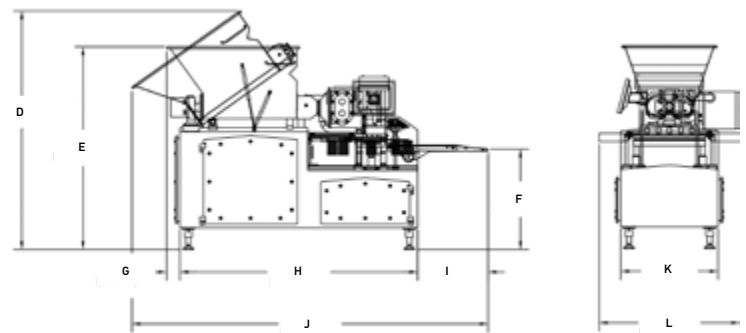
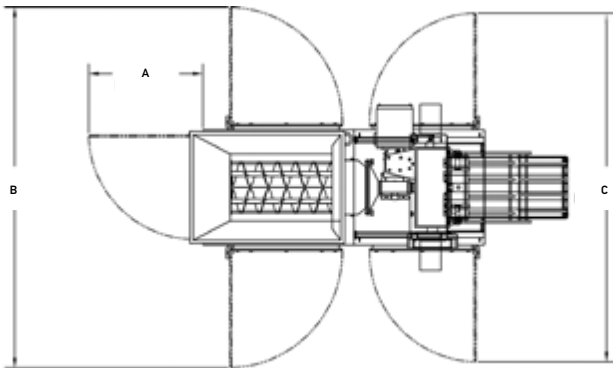


Featured NovaMax<sup>®</sup>500

# NovaMax® innovations will impact your bottom line.

LOWER COST OF OWNERSHIP	PRODUCT QUALITY	ADVANCED HYGIENE	SUSTAINABILITY
<ul style="list-style-type: none"> <li>Minimal moving and stationary parts</li> <li>All servo/electronic operation</li> <li>Simplified servo mold plate drive</li> <li>Servo controlled "next generation" rotary product pump</li> <li>Utilizes existing F-19™, F-26™ and Ultra26™ tooling</li> <li>One-piece pump box extends mold plate life by reducing drive loads</li> <li>Virtually no hopper leakage</li> </ul>	<ul style="list-style-type: none"> <li>Reduced air entrapment</li> <li>Reduced leakage with entirely contained pump rotors</li> <li>Rotary pump improves product integrity with reduced shear and particle reduction</li> <li>Servo controlled product fill pressure</li> <li>Improved first cycle fill consistency</li> </ul>	<ul style="list-style-type: none"> <li>One-piece pump box</li> <li>Uni-body frame construction</li> <li>Removable feed screws</li> <li>Tilting product hopper</li> <li>All pump components can be COP tank cleaned</li> </ul>	<ul style="list-style-type: none"> <li>Lower energy costs</li> <li>Reduced water usage</li> <li>Fewer wear parts</li> <li>Chemical free cleaning</li> <li>Noise reduction for a quieter operation</li> <li>No supplemental air compressor required</li> </ul> 

Model	NovaMax® Installation Dimensions Inches and Metric (mm)												Gross weight lbs (kg)
	A	B	C	D	E	F	G	H	I	J	K	L	
NovaMax500	37.7 (956)	118.8 (3018)	114.9 (2918)	93.3 (2370)	79.2 (2012)	39.2 (997)	5.2 (133)	93.0 (2362)	27.5 (699)	139.3 (3538)	38.0 (965)	54.7 (1390)	6,025 (2733)
NovaMax660	40.4 (1027)	125.8 (3197)	121.9 (3097)	92.7 (2356)	82.0 (2083)	39.1 (995)	8.0 (204)	92.0 (2337)	51.8 (1318)	151.8 (3858)	45.0 (1143)	N/A N/A	6,850 (3107)



Capacity*	NovaMax500	NovaMax500XP	NovaMax660	NovaMax660XP
kg (lbs)	2721 (6,000)	2721 (6,000)	3401 (7,500)	4535 (10,000)

\*Actual capacity is application dependent.



**North America**  
9150 191st Street, Mokena, Illinois 60448 USA  
Tel: +1 708-479-3500 Fax: +1 708-479-3598 E-mail: formaxinfo@provisur.com

**Europe, Middle East and Africa**  
Schipholweg 315, 1171 PL Badhoevedorp  
Tel: +31 (0)20 659 08 00 Fax: +31 (0)20 659 08 01 E-mail: eu.info@provisur.com

**South America**  
Alameda Venus, 289 American Park Empresarial NR, Indaiatuba, SP 13347-659 Brazil  
Tel: +55 (19) 3935-3177 Fax: +55 (19) 3936-2148 E-mail: sa.info@provisur.com

**Asia Pacific**  
11th Floor, Thaniya Building (BTS Wing), 62 Silom Road, Bang Rak Bangkok 10500 Thailand  
Tel: +66 (0) 2652 3050 to 51 Fax: +66 (0) 2652 3052 E-mail: ap.info@provisur.com